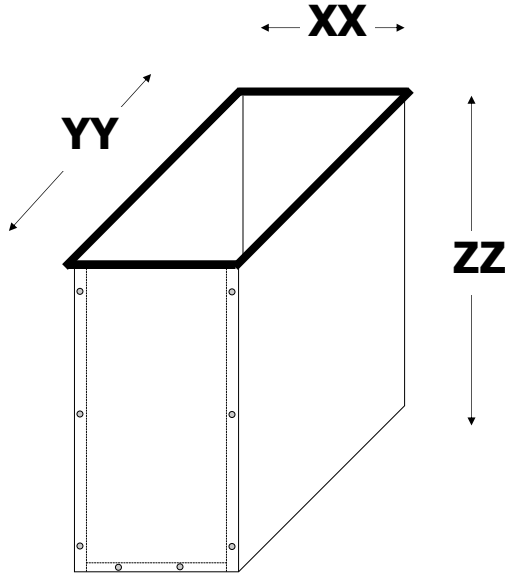


## REGISTER PAN — RB50 RB51



Register Pan

**Product Description:**

Register Pan five sided with open top  
Galvanized Steel (28-26GA depending on size) ASTM  
Riveted construction  
3/8" flange surrounding top register opening

**Part Number Designation:**

**RB50xxyy RB51xxyy**

Where xx = Register width opening (inches)  
yy = Register Length (inches)  
RB50 = 5" High, RB51 = 11" High

EX: RB500412 Register Pan 4x12 Register Opening 5" high

PROJECT: _____	COMPANY: _____	DATE : _____
LOCATION: _____	SUBMITTED BY: _____	